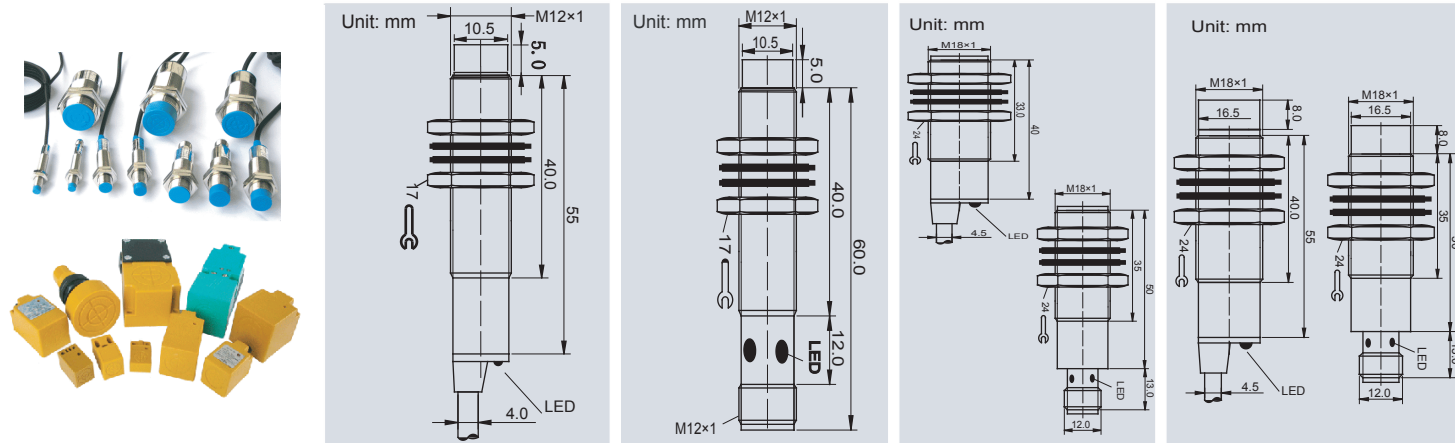


NEW (Flush Mounting / Heavy Duty / Over Load / Short Circuit Protection !)

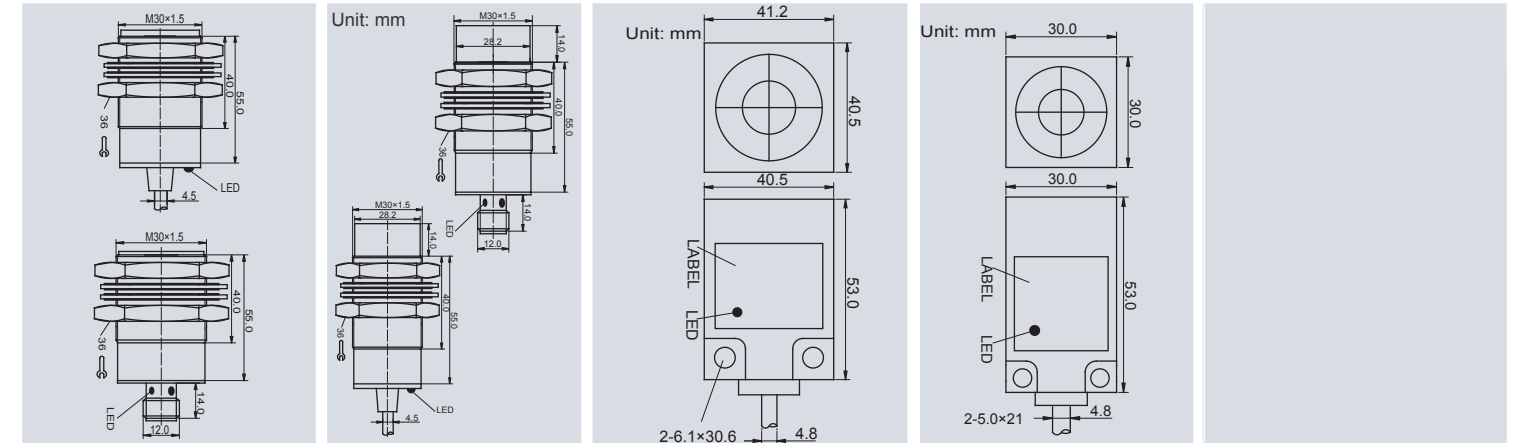
Diension	M12×1	M12×1	M18×1	M18×1
Installation	Nonflush (unshielded)	Nonflush (unshielded)	Flush (shielded)	Nonflush (unshielded)
Mounting distance Sn	4.0mm	4.0mm	5.0mm	8.0mm
Detect distance Sa	0...3.2mm	0...3.2mm	0...4.0mm	0...6.4mm



PNP	DC 3 wires	NO	CPS-12PO4B	CPS(I/L)-12PO4B	CPS(I/L)-18PO5B	CPS(I/L)-18PO8B
		NC	CPS-12PC4B	CPS(I/L)-12PC4B	CPS(I/L)-18PC5B	CPS(I/L)-18PC8B
	DC 4 wires	NO+NC			CPS(I/L)-18POC5B	CPS(I/L)-18POC8B
NPN	DC 3 wires	NO	CPS-12NO4B	CPS(I/L)-12NO4B	CPS(I/L)-18NO5B	CPS(I/L)-18NO8B
		NC	CPS-12NC4B	CPS(I/L)-12NC4B	CPS(I/L)-18NC5B	CPS(I/L)-18NC8B
	DC 4 wires	NO+NC			CPS(I/L)-18NOC5B	CPS(I/L)-18NOC8B
	DC 2 wires	NO				
		NC				
	AC 2 wires	NO			CPS(I/L)-18AO8C	
		NC			CPS(I/L)-18AC8C	
Rated operational voltage(DC/AC)	24V DC/220V AC		24V DC/220V AC		24V DC/220V AC	
Supply voltage(DC/AC)	10-30V DC/90-250V AC		10-30V DC/90-250V AC		10-30V DC/90-250V AC	
Voltage drop	≤ 2 V		≤ 2 V		≤ 2 V	
Rated insulation voltage	≥ 20M Ω		≥ 20M Ω		≥ 20M Ω	
Load current capacity(DC/AC)	200mA/300mA		200mA/300mA		200mA/300mA	
Off-state current (NPN/PNP)	≤ 11 mA		≤ 11 mA		≤ 10 mA	
Leak current	≤ 20 μA		≤ 20 μA		≤ 20 μA	
Short Circuit / Polarity Reversal	NO / YES		NO / YES		YES / YES	
Repeated accuracy	≤ 5%		≤ 5%		≤ 5%	
Ambient temperature range	-15...+60 °C		-15...+60 °C		-15...+60 °C	
Frequency (DC 3 wires/ AC 2 wires)	30Hz/10Hz		30Hz/10Hz/10Hz		30Hz/10Hz/10Hz	
Function indication	Red LED Indicator		Red LED Indicator		Red LED Indicator	
IP ratings (IEC60529)	IP67		IP67		IP67	
Housing material	Brass nickle plated		Brass nickle plated		Brass nickle plated	
Material of sensing face	ABS		ABS		ABS	
Connection	Wires		Connector		Connector	
No. of wires × gauge	12×0.15mm		16×0.15mm		16×0.15mm	
Standard length of cable	2m		2m		2m	
Plug-in connector	/		C12-I/L-F-3/4-A/B		/	

- 1.For connection drawing, please refer to instruction manual.
- 2.Cable and housing of sensor can be special ordered.
3. DC5V or AC 24-250V can be special ordered.

M30×1.5	M30×1.5	S41	S30
Flush (shielded)	Nonflush (unshielded)	Non-Flush (unshielded)	Flush (shielded)
15.0mm	25.0mm	20.0mm	15.0mm
0...13.5mm	0...13.5mm	0...18.0mm	0...13.5mm



PNP	DC 3 wires	NO	CPS-30PO15B	CPS(I/L)-30PO25B	CPS-S41PO20B	CPS-S30PO15B
		NC	CPS-30PC15B	CPS(I/L)-30PC25B	CPS-S41PC20B	CPS-S30PC15B
	DC 4 wires	NO+NC	CPS-30POC15B	CPS(I/L)-30POC25B	CPS-S41POC20B	CPS-S30POC15B
NPN	DC 3 wires	NO	CPS-30NO15B	CPS(I/L)-30NO25B	CPS-S41NO20B	CPS-S30NO15B
		NC	CPS-30NC15B	CPS(I/L)-30NC25B	CPS-S41NC20B	CPS-S30NC15B
	DC 4 wires	NO+NC	CPS-30NOC15B	CPS(I/L)-30NOC25B	CPS-S41NOC20B	CPS-S30NOC15B
	DC 2 wires	NO				
		NC				
	AC 2 wires	NO		CPS-30AO25C	CPS-S41AO20C	CPS-S30AO15C
		NC		CPS-30AC25C	CPS-S41AC20C	CPS-S30AC15C
Rated operational voltage(DC/AC)	24V DC/220V AC		24V DC/220V AC		24V DC/220V AC	
Supply voltage(DC/AC)	10-30V DC/90-250V AC		10-30V DC/90-250V AC		10-30V DC/90-250V AC	
Voltage drop	≤ 2.0V		≤ 2.0 V		≤ 2.0 V	
Rated insulation voltage	≥ 20M Ω		≥ 20M Ω		≥ 20M Ω	
Load current capacity(DC/AC)	200mA/300mA		200mA/300mA		200mA/300mA	
Off-state current (NPN/PNP)	≤ 10 mA		≤ 10 mA		≤ 15 mA	
Leak current	≤ 20 μA		≤ 20 μA		≤ 20 μA	
Short Circuit / Polarity Reversal	YES / YES		YES / YES		YES / YES	
Repeated accuracy	≤ 5%		≤ 5%		≤ 5%	
Ambient temperature range	-15...+60 °C		-15...+60 °C		-15...+60 °C	
Frequency (DC 3 wires/ AC 2 wires)	30Hz/10Hz/10Hz		30Hz/10Hz/10Hz		30Hz/10Hz/10Hz	
Function indication	Red LED Indicator		Red LED Indicator		Red LED Indicator	
IP ratings (IEC60529)	IP67		IP67		IP67	
Housing material	Brass nickle plated		Brass nickle plated		ABS	
Material of sensing face	ABS		ABS		ABS	
Connection	Wires		Connector		Wires	
No. of wires × gauge	16×0.15mm		16×0.15mm		16×0.15mm	
Standard length of cable	2m		2m		2m	
Plug-in connector	/		C12-I/L-F-3/4-A/B		/	

- 1.For connection drawing, please refer to instruction manual.
- 2.Cable and housing of sensor can be special ordered.
3. DC5V or AC 24-250V can be special ordered.